

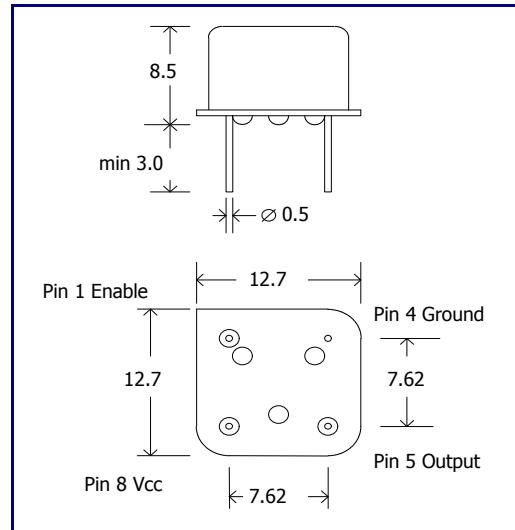
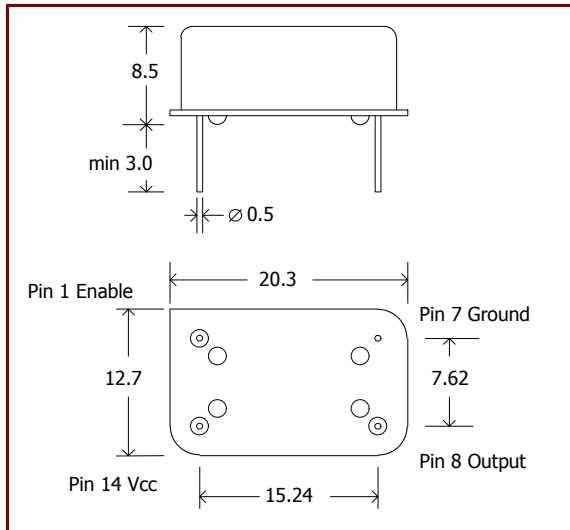


ACMOS Clock Oscillators, high frequency, tristate

Resistance weld packages:-

**DIL-14 (OSO-HSEA-Series)**

**DIL-8 (OSO-HHEA-Series)**



Frequency range

40 - 200 MHz

40 - 200 MHz

Overall Stabilities:-

OSO-HSEA-B100 ± 100 ppm  
 OSO-HSEA-B050 ± 50 ppm  
 OSO-HSEA-B025 ± 25 ppm  
 OSO-HSEA-B015 ± 15 ppm

OSO-HHEA-B100 ± 100 ppm  
 OSO-HHEA-B050 ± 50 ppm  
 OSO-HHEA-B025 ± 25 ppm  
 OSO-HHEA-B015 ± 15 ppm

Temperature

0 to +70°C

0 to +70°C

Output

ACMOS

ACMOS

Rise & Fall times

2 ns max  
 10-90%Vcc

2 ns max  
 10-90%Vcc

Symmetry

55/45 to 40/60%

55/45 to 40/60%

Supply Voltage

3V - 5.5V (Up to 160 MHz)  
 5V ±5% (Above 160 MHz)

3V - 5.5V (Up to 160 MHz)  
 5V ±5% (Above 160 MHz)

Supply Current

40 mA max

40 mA max

Tri-state Function  
 (Pin 1)

Above 2.0V (or open) Enabled  
 Below 0.8V High Impedance

Above 2.0V (or open) Enabled  
 Below 0.8V High Impedance

## OnSpec Oscillators Limited