

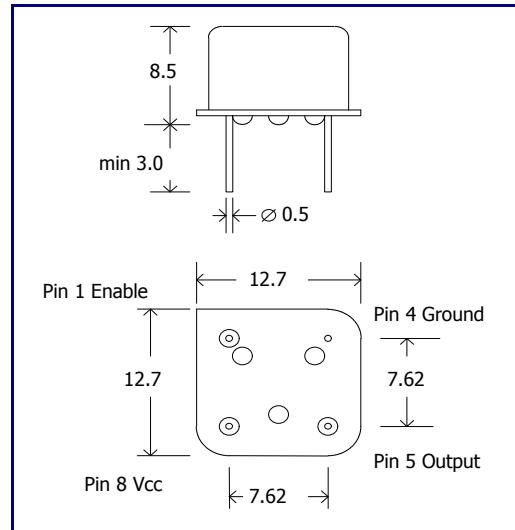
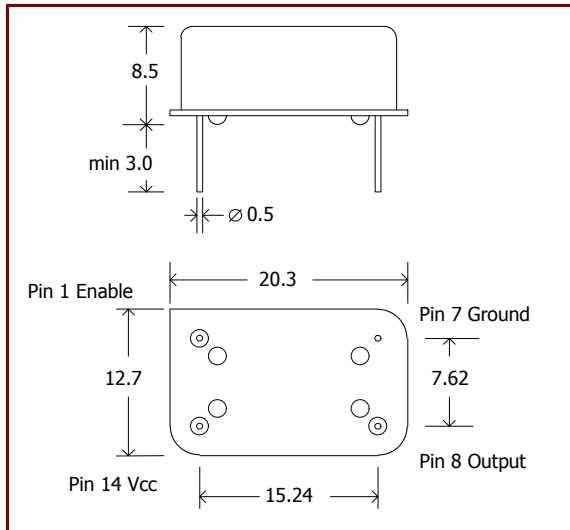


TTL Clock Oscillators, high frequency, tristate

Resistance weld packages:-

DIL-14 (OSO-HSET-Series)

DIL-8 (OSO-HHET-Series)



Frequency range

40 - 200 MHz

40 - 200 MHz

Overall Stabilities:-

OSO-HSET-B100 ±100 ppm
OSO-HSET-B050 ± 50 ppm
OSO-HSET-B025 ± 25 ppm
OSO-HSET-B015 ± 15 ppm

OSO-HHET-B100 ±100 ppm
OSO-HHET-B050 ± 50 ppm
OSO-HHET-B025 ± 25 ppm
OSO-HHET-B015 ± 15 ppm

Temperature

0 to +70°C

0 to +70°C

Output

TTL

TTL

Rise & Fall times

2 ns max

2 ns max

Symmetry

60/40 to 40/60%

60/40 to 40/60%

Supply Voltage

3V - 5.5V (Up to 160 MHz)
5V ±5% (Above 160 MHz)

3V - 5.5V (Up to 160 MHz)
5V ±5% (Above 160 MHz)

Supply Current

40 mA max

40 mA max

Tri-state Function
(Pin 1)

Above 2.0V (or open) Enabled
Below 0.8V High Impedance

Above 2.0V (or open) Enabled
Below 0.8V High Impedance

OnSpec Oscillators Limited