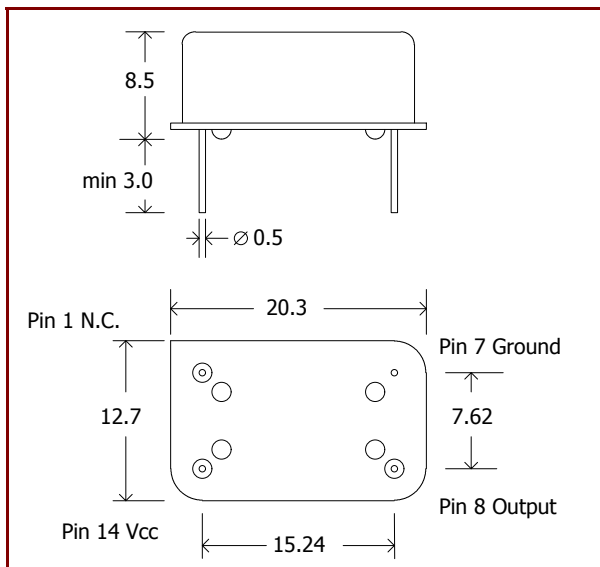


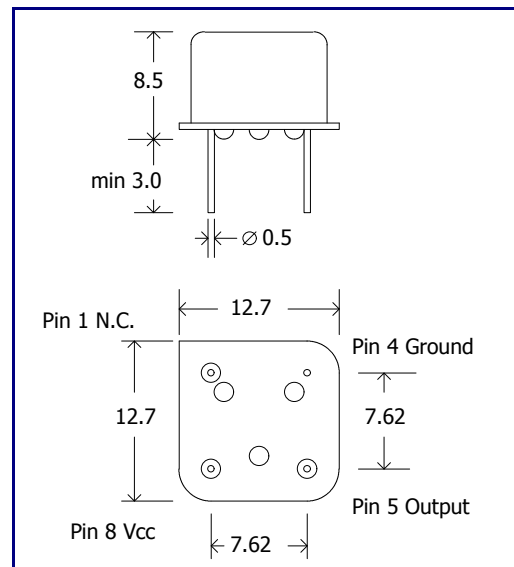
Low frequency HCMOS Clock oscillators. Frequency range 0.001 Hz to 1 MHz

Available over a wide frequency range not covered by ordinary clock oscillators. Wide temperature range versions also available.

OSO-LOC-Series



OSO-HLC-Series



Frequency range 0.001 Hz to 1 MHz

0.001 Hz to 1 MHz

Overall Stabilities:-
 OSO-LOC-B100 ±100 ppm
 OSO-LOC-B050 ± 50 ppm
 OSO-LOC-B025 ± 25 ppm
 OSO-LOC-B015 ±15 ppm

OSO-HLC-B100 ±100 ppm
 OSO-HLC-B050 ± 50 ppm
 OSO-HLC-B025 ± 25 ppm
 OSO-HLC-B015 ±15 ppm

Temperature range 0 to 70°C

0 to 70°C

Output HCMOS

HCMOS

Symmetry 52/48 to 48/52%

52/48 to 48/52%

Rise & Fall times 10 ns max

10 ns max

Supply Voltage 3V - 5.5V

3V - 5.5V

Supply Current 15mA max

15mA max

OnSpec Oscillators Limited

Fax (024) 76642073
 Tel (024) 76642024
 sales@onspec.co.uk