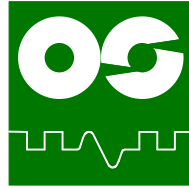


OnSpec Oscillators



Oven Oscillators

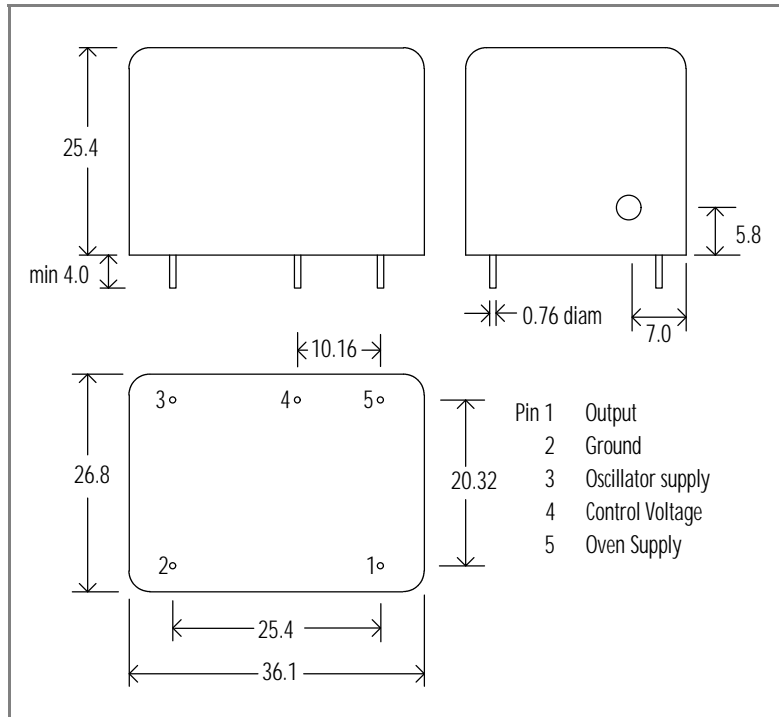
Unless a resistance weld package these Oscillators are not hermetically

Oven Crystal Oscillators Frequency range 1 to 30 MHz

Oven Oscillators for use in any application where stability to as good as 0.05 ppm is required. Compensation for ageing provided by mechanical or electrical adjustment or both. Available in a range of stabilities and with a wide range of oven voltages.

Also available with lower height can, sinewave output and with Eurocan pin-out.

Better ageing also available with 3rd overtone crystals, but with reduced adjustment range.



Frequency Range	1 - 30 MHz
Supply Stability	±0.05ppm
Stability over 24 Hours	±0.01ppm on delivery
Frequency adjustment (Up to 20 MHz)	±15ppm minimum (internal) or 0.5 - 3.5 volts control
Above 20 MHz	±5ppm total
Warm up time	1 hour to ±0.01ppm
Symmetry	45/55% (HCMOS) 40/60% (TTL)
Oscillator supply	5 V ±5% @ <25mA
Oven power	7.5 W Maximum 2.5 W at 25°C

Part numbers:-

Output HCMOS
TTL

Temperature stability
± 0.1 ppm 0 - 60°C
± 0.1 ppm -10 - 60°C
± 0.2 ppm -10 - 70°C
± 0.2 ppm -40 - 70°C
± 0.05 ppm 0 - 60°C

Oven Voltage

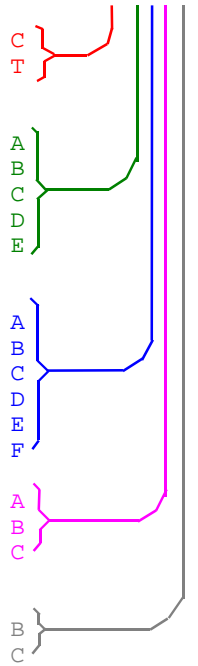
5 V
9 V
12 V
15 V
18 V
24 V

Trim options

Internal only
External only
Both

1st year Ageing
1 ppm
0.5 ppm

OSO-SOC-DCBA



OnSpec Oscillators Limited

Fax +44 (0)24 7664 2073

Tel +44 (0)24 7664 2024

Email sales@onspec.co.uk

June 1999