

OnSpec Oscillators



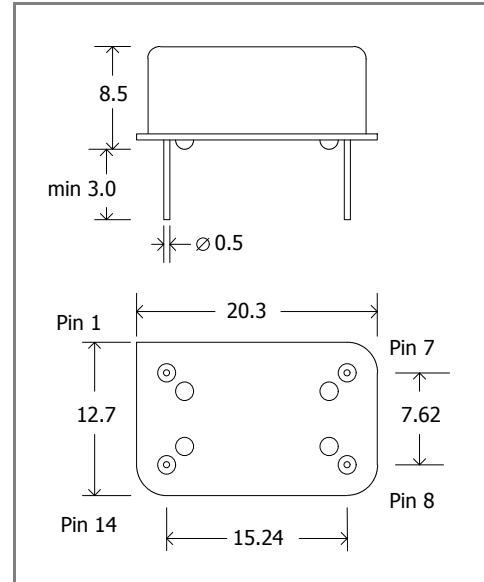
100k series ECL Clock Oscillators DIL-14

Emitter Coupled Logic (ECL), 100k series
Clock Oscillators up to 320 MHz

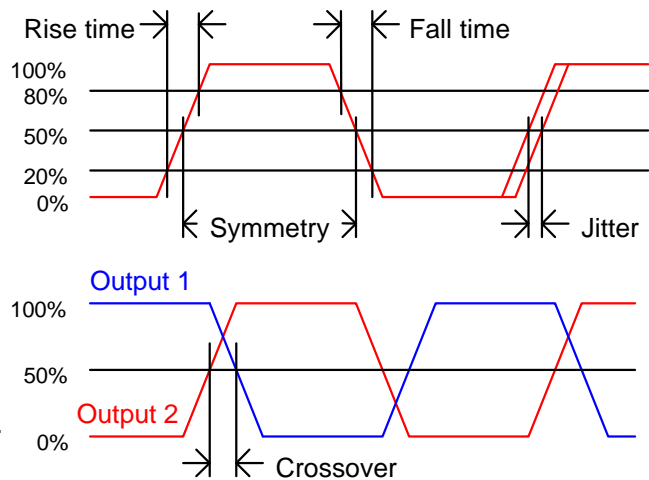
Positive or negative supply,
single or complimentary output

Also available:-
Better stabilities
Half size (DIL-8)
3.3V supply
10kHz output
Fast Delivery service

Frequency	10 .. 320 MHz
Overall Stability	± 100 ppm
Output	100k ECL
V_{OH}	-1.025V .. -0.880V *
V_{OL}	-1.810V .. -1.620V *
Temperature	-40 .. +85°C
Rise & Fall times 20%..80%	1.2 ns max
Symmetry	55/45..45/55%
Crossover	500ps max
Jitter	10ps max <80 MHz 500ps max >80MHz
Supply Voltage	-5.5V .. -3.0V *
Supply Current	40mA max



Timing Waveforms



Specifications and Connections

	Pin 1	Pin 7	Pin 8	Pin 14
OSO-STE-B00C	N/C	-V _{EE}	Output	Ground
OSO-STE-B00D	Output 1	-V _{EE}	Output 2	Ground
OSO-STE-B00E	N/C	Ground	Output	-V _{EE}
OSO-STE-B00F	Output 1	Ground	Output 2	-V _{EE}
OSO-SFE-B00C	N/C	Ground	Output	+V _{CC}
OSO-SFE-B00D	Output 1	Ground	Output 2	+V _{CC}

The oscillator characteristics are specified with the outputs terminated with 50Ω to -2.0V.

The ground pin is connected to the case.

* Note. All voltages are relative to the positive supply.

OnSpec Oscillators Limited

Fax +44 (0)24 7664 2073

Tel +44 (0)24 7664 2024

Email sales@onspec.co.uk

Oct 2004