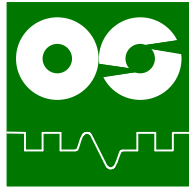


OnSpec Oscillators



10kHz series ECL Clock Oscillators DIL-14

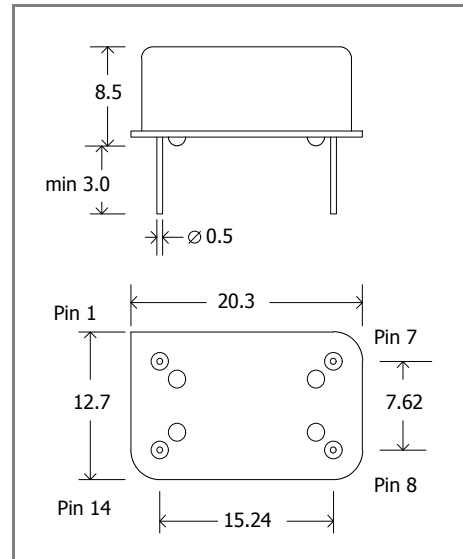
Emitter Coupled Logic (ECL), 10kHz series
Clock Oscillators up to 320 MHz

These oscillators do not have temperature compensated output levels and are offered to provide compatibility with older systems.

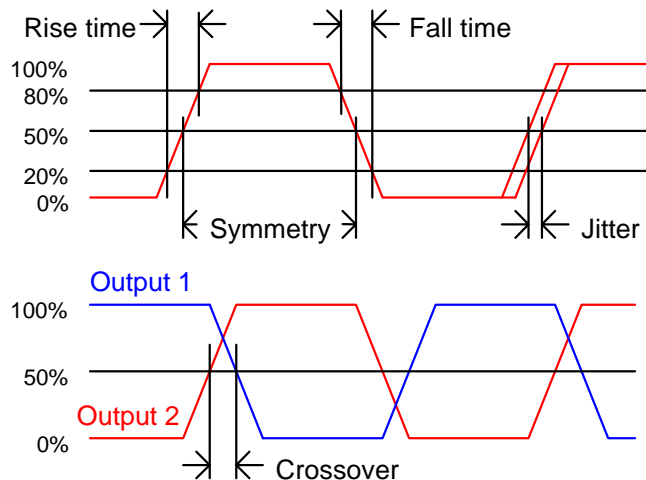
Positive or negative supply, single or dual outputs

Also available:- Better stabilities, 100k output, Half size (DIL-8), 3.3V supply, Fast Delivery service

Frequency	10 .. 320 MHz	
Overall Stability	± 100 ppm	
Output	10kHz ECL	
V_{OH}	-40°C	-1.080V .. -0.890V *
	0°C	-1.020V .. -0.840V *
	25°C	-0.980V .. -0.810V *
	85°C	-0.910V .. -0.720V *
V_{OL}	-40°C	-1.950V .. -1.650V *
	0°C	-1.950V .. -1.630V *
	25°C	-1.950V .. -1.630V *
	85°C	-1.950V .. -1.595V *
Temperature	-40 .. +85°C	
Rise & Fall times	1.2 ns max	
Symmetry	55/45 .. 45/55%	
Crossover	500ps max	
Jitter	10ps max <80 MHz 500ps max >80MHz	
Supply Voltage	-5.5V .. -3.0V *	
Supply Current	40mA max	



Timing Waveforms



Specifications and Connections

	Pin 1	Pin 7	Pin 8	Pin 14
OSO-STH-B00C	N/C	-V _{EE}	Output	Ground
OSO-STH-B00D	Output 1	-V _{EE}	Output 2	Ground
OSO-STH-B00E	N/C	Ground	Output	-V _{EE}
OSO-STH-B00F	Output 1	Ground	Output 2	-V _{EE}
OSO-SFH-B00C	N/C	Ground	Output	+V _{CC}
OSO-SFH-B00D	Output 1	Ground	Output 2	+V _{CC}

The oscillator characteristics are specified with the outputs terminated with 50Ω to -2.0V.

The ground pin is connected to the case.

* Note. All voltages are relative to the positive supply.

OnSpec Oscillators Limited

Fax +44 (0)24 7664 2073

Tel +44 (0)24 7664 2024

Email sales@onspec.co.uk

Feb 2000