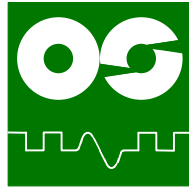


OnSpec Oscillators



OSO-00270-02
OSO-00271-02
OSO-00272-02

Positive Emitter Coupled Logic (PECL),
100k series Voltage Controlled Crystal
Oscillators with enable.

Positive supply,
single or complimentary output

Fast Delivery Services:-
2 weeks or 3 weeks

74.25 MHz **OSO-00270-02**
74.175824 MHz **OSO-00271-02**
108 MHz **OSO-00272-02**

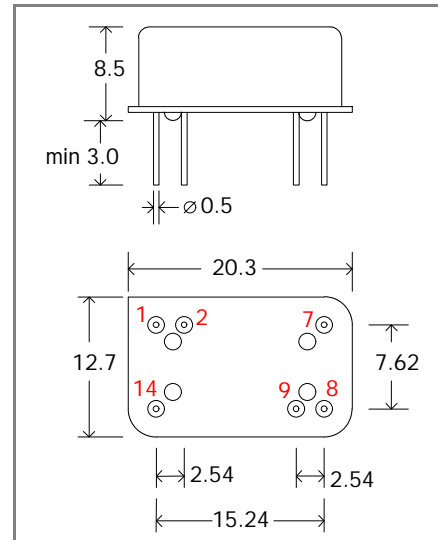
Stability	± 30 ppm
Pulling from Nominal	± 100 ppm
Output	100k ECL
V _{OH}	3.965V .. 4.130V
V _{OL}	3.170V .. 3.380V
Temperature	-10 to 70 °C
Rise & Fall times 20%..80%	2 ns max
Symmetry	55/45..45/55%
Crossover	500ps max
Jitter	200ps max
Control Voltage	0.5 V - 5.0 V
Supply Voltage	5 V ± 5%
Supply Current	30mA max

All voltages are referenced to ground. Output levels change with the positive power supply and are quoted at 5V exactly.

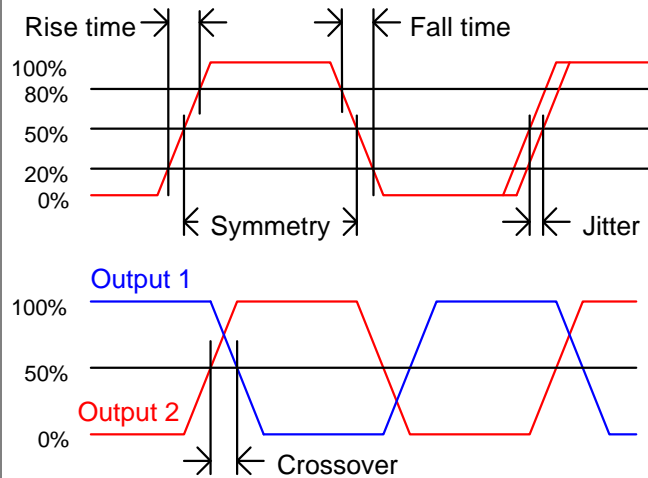
The oscillator characteristics are specified with the outputs terminated with 50 Ω to 3.0 V.

The ground pin is connected to the case.

100k series PECL Voltage Controlled Crystal Oscillators



Timing Waveforms



Enable Function:-

Logic 0 : Enabled
Logic 1 : oscillator Stopped

The enable connection can be in either state, even if the oscillator is not powered up.

Connections

Pin 1	Control
Pin 2	Enable
Pin 7	Ground
Pin 8	Output 1
Pin 9	Output 2
Pin 14	Supply

OnSpec Oscillators Limited

Fax +44 (0)24 76642073

Tel +44 (0)24 76642024

Email sales@onspec.co.uk

June 2002