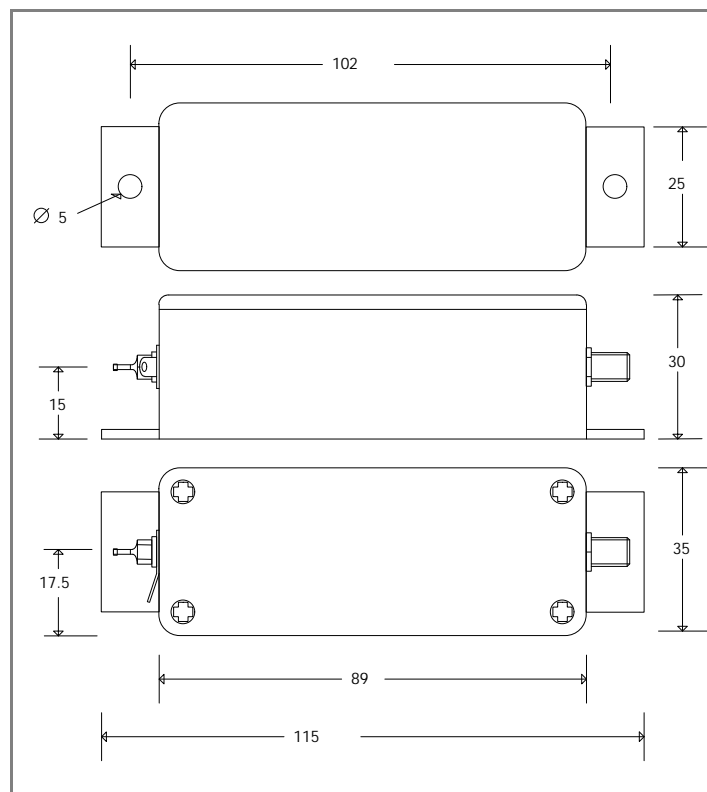


Frequency	8 - 100 MHz
Output type	Sinewave
Output power	+13dBm min. into 50Ω (2.82V peak - peak)
Harmonics	< -20dBc
Supply voltage	5V ± 5%
Supply Current	50mA max
Stability including temp Supply 1 year ageing	± 100 ppm
Temperature	0 °C to +50 °C
Weight	90g

Sinewave Crystal Oscillator
Frequency range 8 to 100 MHz

Chassis-mount case
SMA output connector

Connections	
Supply	Solder to lead-trough capacitor
Ground	Solder tag around supply connector
Output	SMA connector



OnSpec Oscillators Limited

Tel (024) 76642024 Fax (024) 76642073 email sales@onspec.co.uk

April 2001